



BRIKA

BHP-122

HOT PLATE 2 BURNERS

ROBUST DESIGN
HIGH QUALITY STAINLESS STEEL



Heavy-duty lift-off cast iron burners

"Cool-to-the-touch" front stainless steel edge

SS standby pilot for instant ignition

Manual controls for each burner

Stainless steel exterior and interior

Full length seamless drip pan, easy to remove & clean

Adjustable stainless steel legs



Dimensions (wxdxh) 12" x 28^{3/4}" x 13^{3/8}"

Cooking Area (wxd) 12" x 24"

Burners

NG 2 x 33,000 BTU/H (total 66K)

LPG 2 x 32,000 BTU/H (total 64K)

BHP-122

DELIVERY

Box dimensions (wxdxh)

14^{1/8"} x 32^{5/8"} x 17^{3/4"}

Weight

net: 30 lbs

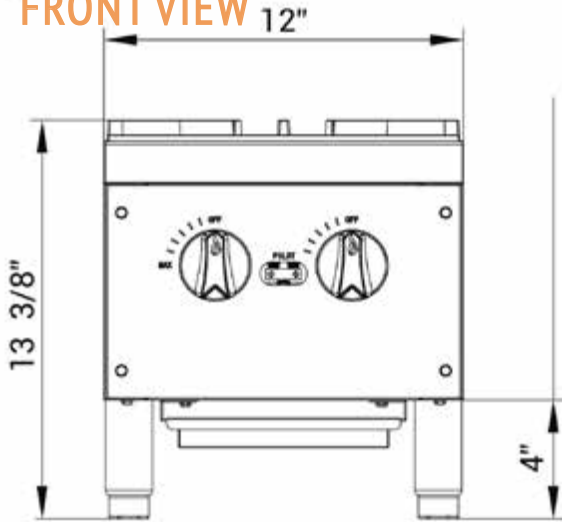
ship: 40 lbs

GAS POWERED

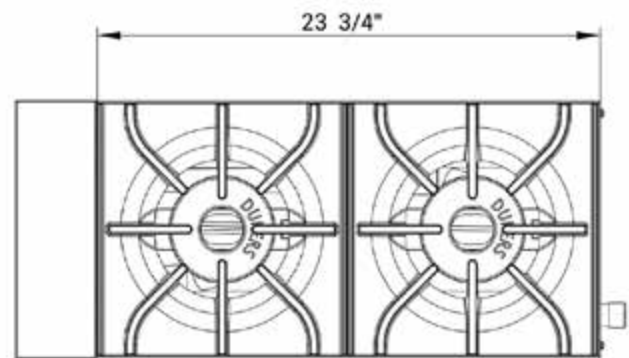
Natural	Source	Propane
4"WC	Pressure	10"WC
40#	Nozzle	52#
3/4" NPT	Connection	3/4" NPT

if to be used above 2000 ft, specify altitude and gas type when ordering

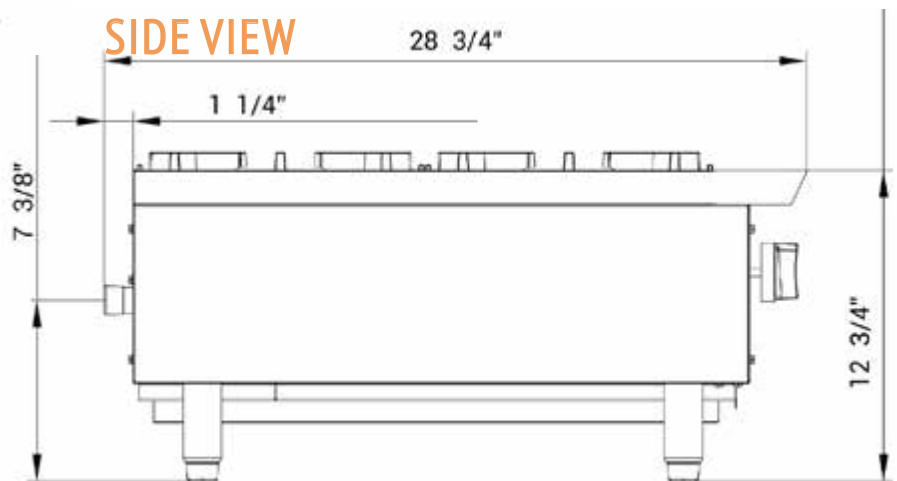
FRONT VIEW



TOP VIEW



SIDE VIEW



ASSEMBLY/SUPPORT



MORE PRODUCTS



SAFETY

Keep combustibles a minimum of 17" away from the equipment. Keep a clearance of 4" at the rear.

 We're on social media! 



BRIKA

BHP-244

HOT PLATE 4 BURNERS

ROBUST DESIGN
HIGH QUALITY STAINLESS STEEL



Heavy-duty lift-off cast iron burners

"Cool-to-the-touch" front stainless steel edge

SS standby pilot for instant ignition

Manual controls for each burner

Stainless steel exterior and interior

Full length seamless drip pan, easy to remove & clean

Adjustable, stainless steel legs, non-skid feet



Dimensions (wxdxh) 24" x 28^{3/4}" x 13^{3/8}"

Cooking Area (wxd) 24" x 24"

Burners

NG 4 x 33,000 BTU/H (total 132K)

LPG 4 x 32,000 BTU/H (total 128K)

BHP-244

DELIVERY

Box dimensions (wxdxh)

26^{1/8"} x 32^{5/8"} x 17^{3/4"}

Weight

net: 50 lbs

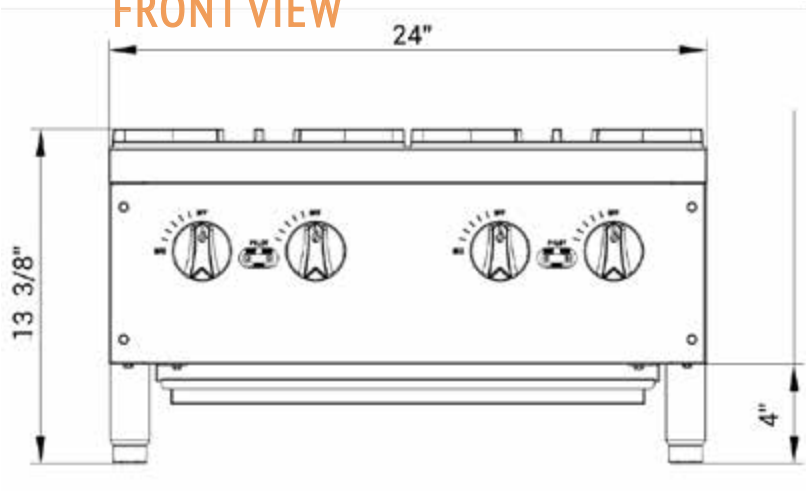
ship: 65 lbs

GAS POWERED

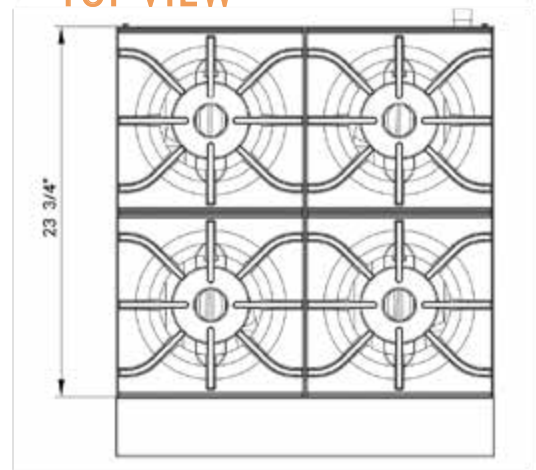
Natural	Source	Propane
4"WC	Pressure	10"WC
40#	Nozzle	52#
3/4" NPT	Connection	3/4" NPT

if to be used above 2000 ft, specify altitude and gas type when ordering

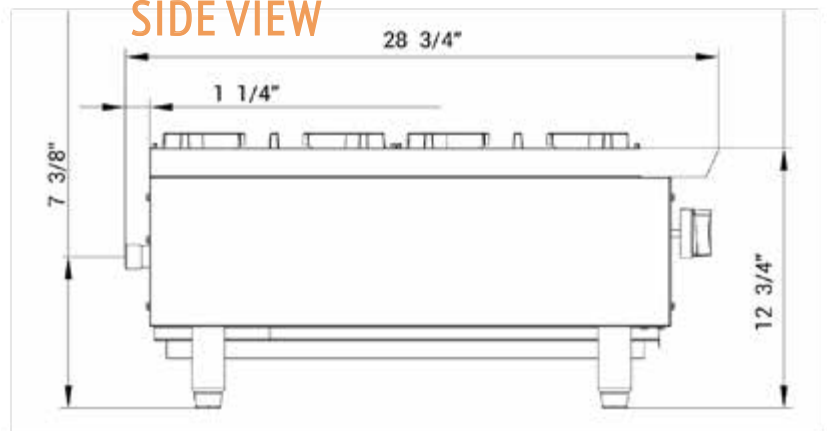
FRONT VIEW



TOP VIEW



SIDE VIEW



ASSEMBLY/SUPPORT



MORE PRODUCTS



SAFETY

Keep combustibles a minimum of 17" away from the equipment. Keep a clearance of 4" at the rear.

 We're on social media! 



BRIKA

BHP-366

HOT PLATE 6 BURNERS

ROBUST DESIGN
HIGH QUALITY STAINLESS STEEL

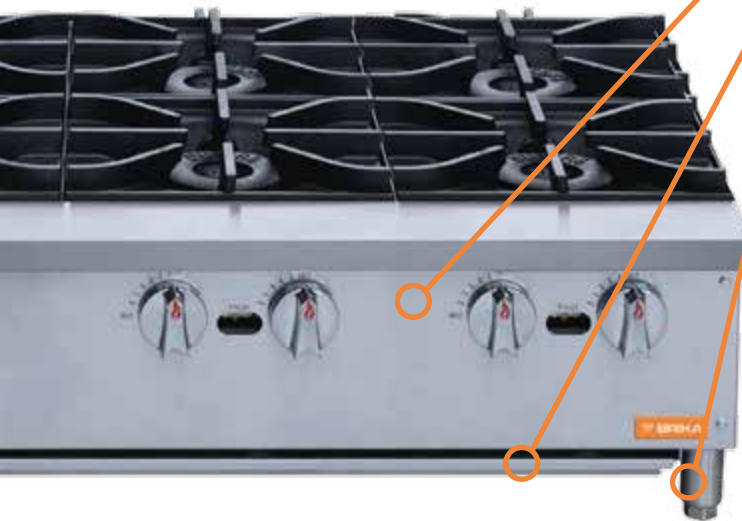


Heavy-duty lift-off cast iron burners

"Cool-to-the-touch" front stainless steel edge

SS standby pilot for instant ignition

Manual controls for each burner



Stainless steel exterior and interior

Full length seamless drip pan, easy to remove & clean

Adjustable, stainless steel legs, non-skid feet



Dimensions (wxdxh) 36" x 28^{3/4}" x 13^{3/8}"

Cooking Area (wxd) 36" x 24"

Burners

NG 6 x 33,000 BTU/H (total 198K)

LPG 6 x 32,000 BTU/H (total 192K)

BHP-366

DELIVERY

Box dimensions (w×d×h)

38^{1/4"} x 32^{5/8"} x 17^{3/4"}

Weight

net: 70 lbs

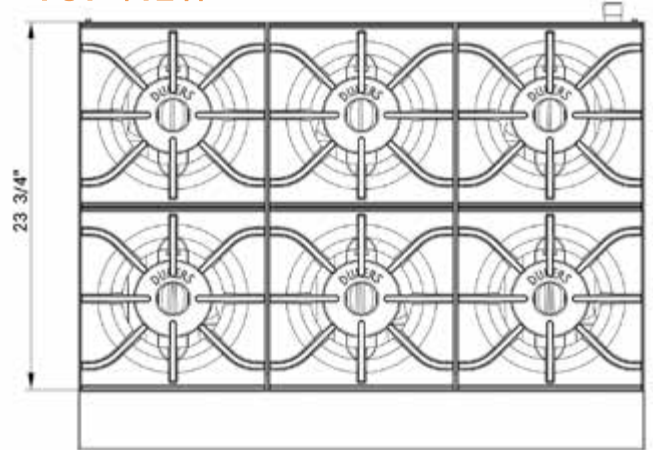
ship: 96 lbs

GAS POWERED

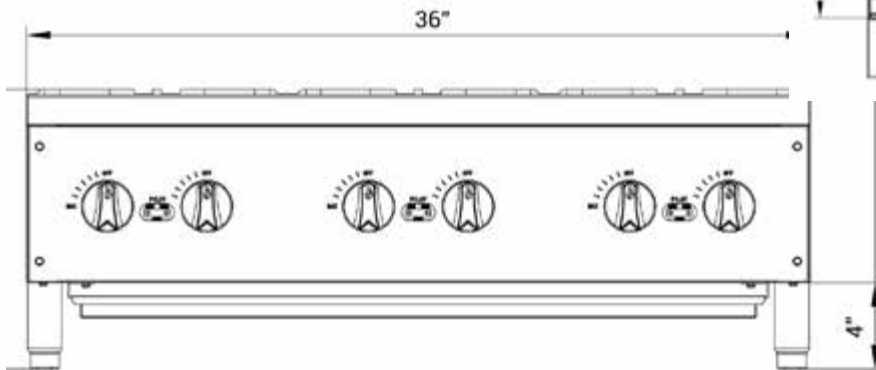
Natural	Source	Propane
4"WC	Pressure	10"WC
40#	Nozzle	52#
3/4" NPT	Connection	3/4" NPT

if to be used above 2000 ft, specify altitude and gas type when ordering

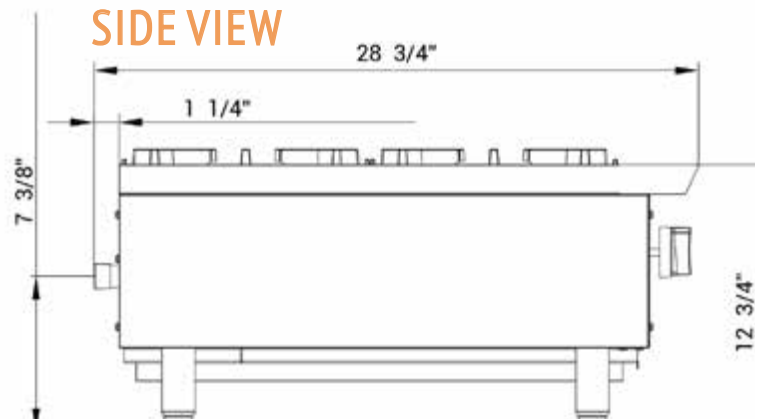
TOP VIEW



FRONT VIEW



SIDE VIEW



ASSEMBLY/SUPPORT



MORE PRODUCTS



SAFETY

Keep combustibles a minimum of 17" away from the equipment. Keep a clearance of 4" at the rear.

 **We're on social media!** 



BRIKA

BHP-488

HOT PLATE 8 BURNERS

ROBUST DESIGN
HIGH QUALITY STAINLESS STEEL



Heavy-duty lift-off cast iron burners

"Cool-to-the-touch" front stainless steel edge

SS standby pilot for instant ignition

Manual controls for each burner



Stainless steel exterior and interior

Full length seamless drip pan, easy to remove & clean

Adjustable, stainless steel legs, non-skid feet



Dimensions (wxdxh) 48" x 28^{3/4}" x 13^{3/8}"

Cooking Area (wxd) 48" x 24"

Burners

NG 8 x 33,000 BTU/H (total 264K)

LPG 8 x 32,000 BTU/H (total 256K)

BHP-488

DELIVERY

Box dimensions (wxdxh)

50^{1/4}" x 32^{5/8}" x 17^{3/4}"

Weight

net: 90 lbs

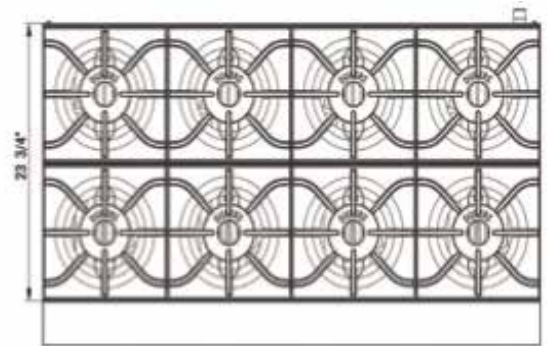
ship: 120 lbs

GAS POWERED

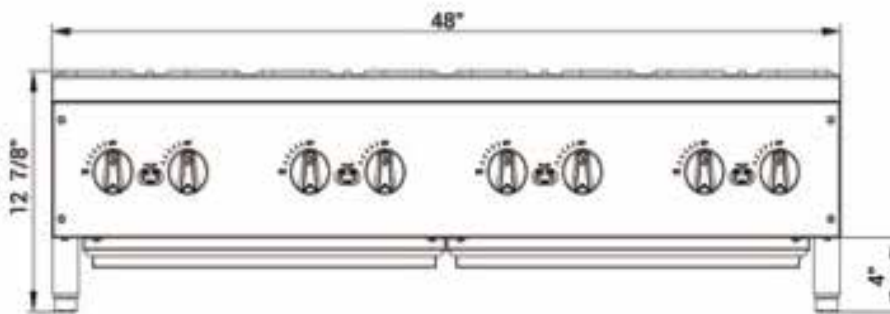
Natural	Source	Propane
4"WC	Pressure	10"WC
40#	Nozzle	52#
3/4" NPT	Connection	3/4" NPT

if to be used above 2000 ft, specify altitude and gas type when ordering

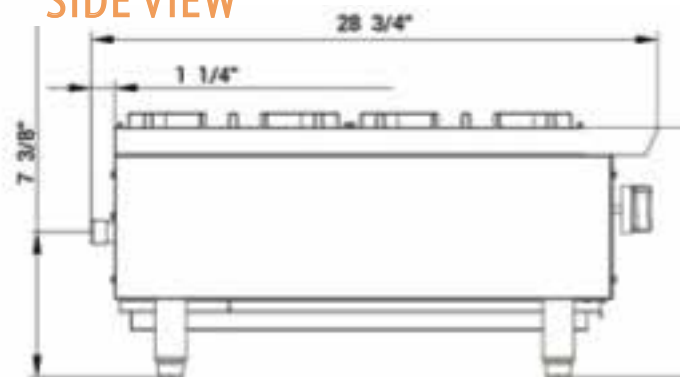
TOP VIEW



FRONT VIEW



SIDE VIEW



ASSEMBLY/SUPPORT



MORE PRODUCTS



SAFETY

Keep combustibles a minimum of 17" away from the equipment. Keep a clearance of 4" at the rear.

 **We're on social media!** 